

Approval body for construction products  
and types of construction

Bautechnisches Prüfamt

An institution established by the Federal and  
Laender Governments



## European Technical Assessment

ETA-16/0301  
of 14 June 2016

English translation prepared by DIBt - Original version in German language

### General Part

Technical Assessment Body issuing the  
European Technical Assessment:

Deutsches Institut für Bautechnik

Trade name of the construction product

Electrical cable fastener

Product family  
to which the construction product belongs

Power-actuated fastener for multiple use in concrete for  
non-structural applications

Manufacturer

Hilti AG  
Feldkircherstraße 100  
9494 Schaan  
FÜRSTENTUM LIECHTENSTEIN

Manufacturing plant

Hilti AG, Herstellwerke

This European Technical Assessment  
contains

18 pages including 3 annexes which form an integral part  
of this assessment

This European Technical Assessment is  
issued in accordance with Regulation (EU)  
No 305/2011, on the basis of

European Assessment Document (EAD)  
330083-01-0601

The European Technical Assessment is issued by the Technical Assessment Body in its official language. Translations of this European Technical Assessment in other languages shall fully correspond to the original issued document and shall be identified as such.

Communication of this European Technical Assessment, including transmission by electronic means, shall be in full. However, partial reproduction may only be made with the written consent of the issuing Technical Assessment Body. Any partial reproduction shall be identified as such.

This European Technical Assessment may be withdrawn by the issuing Technical Assessment Body, in particular pursuant to information by the Commission in accordance with Article 25(3) of Regulation (EU) No 305/2011.

## Specific part

### 1 Technical description of the product

The electric cable fastener consists of the power-actuated fastener (Hilti X-P 20 B3 MX, Hilti X-P 24 B3 MX, Hilti X-P 20 G3 MX or Hilti X-P 24 G3 MX) made of galvanized steel and the fixture according to Annex A1 made of galvanized steel or polyamide. The power-actuated fasteners are driven in the concrete by using a mechanical fastening tool (Hilti BX3-ME) or a gas-actuated fastening tool (Hilti GX3-ME). They are anchored in the concrete by sintering and mechanical interlock.

The product description is given in Annex A.

### 2 Specification of the intended use in accordance with the applicable European Assessment Document

The performances given in Section 3 are only valid if the fastener is used in compliance with the specifications and conditions given in Annex B.

The verifications and assessment methods on which this European Technical Assessment is based lead to the assumption of a working life of the fastener of at least 50 years. The indications given on the working life cannot be interpreted as a guarantee given by the producer, but are to be regarded only as a means for choosing the right products in relation to the expected economically reasonable working life of the works.

### 3 Performance of the product and references to the methods used for its assessment

#### 3.1 Mechanical resistance and stability (BWR 1)

Essential characteristic	Performance
Maximum service loads in non-cracked and cracked concrete	See Annex C1 to C4
Number of fixing points – $n_1$	$10 \leq n_1 \leq 100$
Uniform span between the fixing points	$\leq 1,0$ m
Acceptable gaps (number of failure next to each other) for local failure	See Annex C1 to C4
Acceptable gaps (number of failure next to each other) for serviceability limit state	See Annex C1 to C4
Durability	Durability is ensured if the specifications of intended use according to Annex B are taken into account.

#### 3.2 Safety in case of fire (BWR 2)

Essential characteristic	Performance
Reaction to fire of fasteners and fixtures made of metal	Class A1
Reaction to fire of fixtures made of polyamide	No performance assessed.
Resistance to fire	No performance assessed.

**4 Assessment and verification of constancy of performance (AVCP) system applied, with reference to its legal base**

In accordance with EAD No. 330083-01-0601, the applicable European legal act is: 1997/463/EC.

The system to be applied is: 2+

**5 Technical details necessary for the implementation of the AVCP system, as provided for in the applicable European Assessment Document**

Technical details necessary for the implementation of the AVCP system are laid down in the control plan deposited with Deutsches Institut für Bautechnik.

Issued in Berlin on 14 June 2016 by Deutsches Institut für Bautechnik

Andreas Kummerow  
p. p. Head of Department

*beglaubigt:*  
Wittstock

**Electrical cable fastener consist of the fixture and a power-actuated fastener**

**Fixture**

X-EKB 4/8 MX	X-ECT MX	X-ECH MX
		
<b>X-EKB 16 MX</b> 		
X-EKS MX	X-EKSC MX	X-FB MX
		
X-DFB MX	X-ECC MX	X-EHS MX
		

**Power-actuated-fastener X-P 20 B3, X-P 24 B3 and X-P 20 G3, X-P 24 G3**



**Electrical cable fasteners**

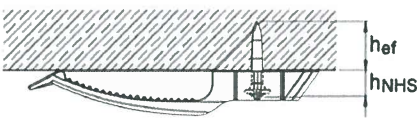
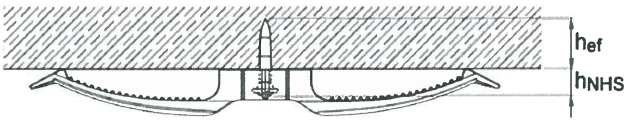
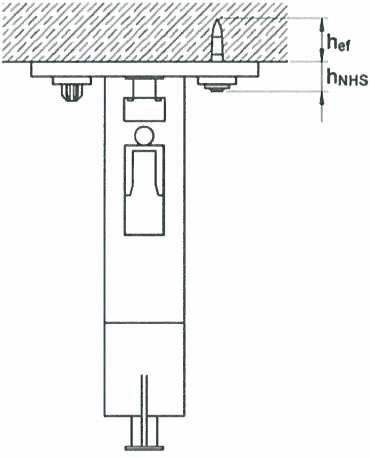

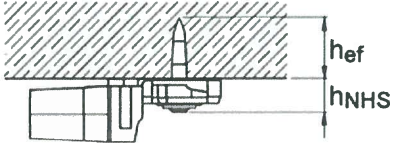
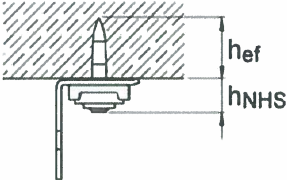
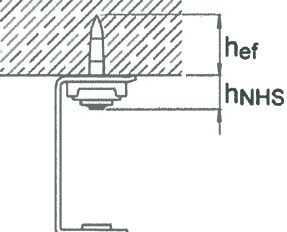
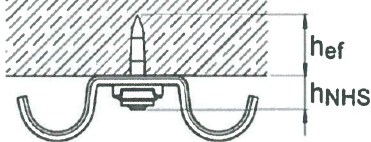
Product description: Products

**Annex A1**

English translation prepared by DIBt

## Electrical cable fasteners

### Installed condition

<b>X-EKB 4/8 MX</b>	<b>X-EKB 16 MX</b>	
		
<b>X-ECH MX</b>	<b>X-ECT MX</b>	<b>X-EKS MX</b>
		
	<b>X-EKSC MX</b>	<b>X-FB MX</b>
		

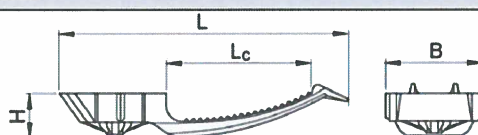
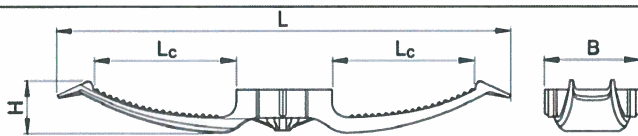
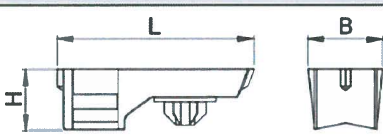
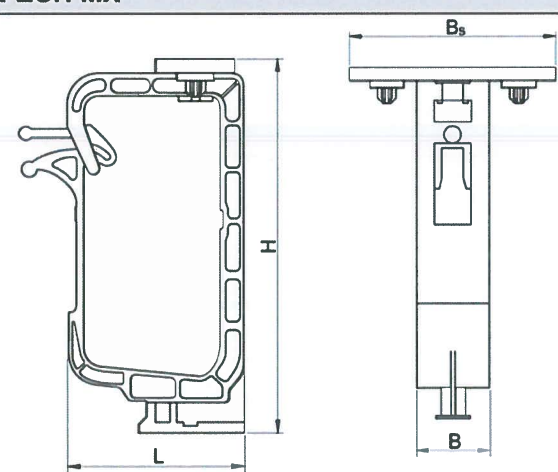
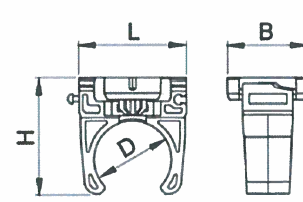
Electrical cable fasteners

Product description: Installed condition

Annex A2

## Electrical cable fasteners: dimensions and materials

Table 1: Fixture

	Designation	Dimensions [mm]			
		Material [-]			
<b>X-EKB MX</b>		L	L <sub>c</sub>	B	H
	X-EKB 4 MX	96.4	48	21.3	13.5
	X-EKB 8 MX	139.6	96.6	21.3	17
	X-EKB 16 MX	237.6	96.6	21.3	17
	All sizes	Polyamide PA 6.6, light grey			
<b>X-ECT MX</b>		L	B	H	
	X-ECT MX	37.4	21.3	12.5	
	X-ECT 40 MX (with pre-mounted cable tie)	37.4	21.3	12.5	
		Polyamide PA 6.6, light grey			
<b>X-ECH MX</b>		L	B	B <sub>s</sub>	H
	X-ECH 15 MX	48.5	27.5	78	93
	X-ECH 30 MX	59	27.5	78	128
	All sizes	Polyamide PA 6.6, light grey			
<b>X-EKS MX</b>		L	B	H	D
	X-EKS 16 MX	33	26	28	14.5
	X-EKS 19 MX	33	26	31.5	18.5
	X-EKS 20 MX	33	26	32.5	19.5
	X-EKS 25 MX	34	26	37	24.5
	X-EKS 32 MX	40.5	26	42.5	30.5
	X-EKS 40 MX	49.5	26	50.5	38.5
	All sizes	Polyamide PA 6.6, light grey			

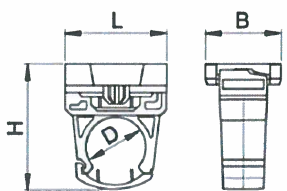
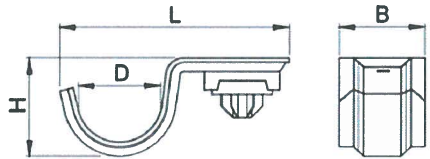
Electrical cable fasteners

Product description: Dimensions and materials

Annex A3

## Electrical cable fasteners: dimensions and materials

Table 1: Fixture (continued)

	Designation	Dimensions [mm]			
		Material [-]			
<b>X-EKSC MX</b>		L	B	H	D
	X-EKSC 16 MX	33	26	31.5	15.7
	X-EKSC 20 MX	33	26	37	19.5
	X-EKSC 25 MX	34	26	42	24.5
	X-EKSC 32 MX	40.5	26	46.5	30.5
	X-EKSC 40 MX	49.5	26	54.5	38.5
	All sizes	Polyamide PA 6.6, light grey			
<b>X-FB MX</b>		L	B	H	D
	X-FB 5 MX	28	17.5	7	5
	X-FB 6 MX	29	17.5	8	6
	X-FB 7 MX	30	17.5	9	7
	X-FB 8 MX	31	17.5	9.5	8
	X-FB 11 MX	34	17.5	12.5	11
	X-FB 13 MX	36	17.5	14.5	13
	X-FB 16 MX	44	17.5	17.5	16
	X-FB 20 MX	48	17.5	21.5	20
	X-FB 22 MX	50	17.5	23.5	22
	X-FB 25 MX	53	17.5	28.5	25
	X-FB 28 MX	56	17.5	29.5	28
	X-FB 32 MX	58	17.5	33.5	32
	X-FB 40 MX	69	17.5	41.5	40
All sizes	10-20 µm Galvanized steel				

Electrical cable fasteners

Product description: Dimensions and materials

Annex A4



## Electrical cable fasteners: dimensions and materials

Table 1: Fixture (continued)

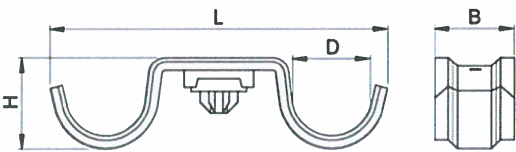
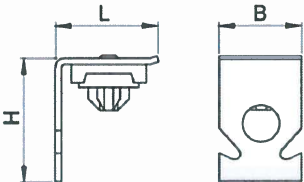
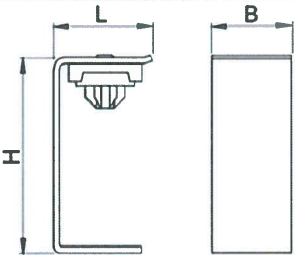
	Designation	Dimensions [mm]			
		Material [-]			
<b>X-DFB MX</b>		L	B	H	D
	X-DFB 5 MX	46	17.5	7	5
	X-DFB 6 MX	48.5	17.5	8	6
	X-DFB 7 MX	51	17.5	9	7
	X-DFB 8 MX	53.5	17.5	9.5	8
	X-DFB 16 MX	70.5	17.5	17.5	16
	X-DFB 20 MX	80	17.5	21.5	20
	X-DFB 22 MX	83.5	17.5	23.5	22
	X-DFB 25 MX	90	17.5	28.5	25
	X-DFB 28 MX	97	17.5	29.5	28
	All sizes	10-20 µm galvanized steel			
<b>X-ECC MX</b>		L	B	H	
	X-ECC MX	21	18	25	
	All sizes	10-20 µm galvanized steel			
<b>X-EHS MX</b>		L	B	H	
	X-EHS M4 MX	20	18	38	
	X-EHS M6(W6) MX	20	18	38	
	X-EHS M8 MX	20	18	38	
	X-EHS W10 MX	20	18	38	
	All sizes	10-20 µm galvanized steel			

Table 2: Power-actuated fastener

Power-actuated fastener		X-P 20 B3 MX X-P 20 G3 MX	X-P 24 B3 MX X-P 24 G3 MX
Shank length	[mm]	20	24
Total length	[mm]	21.8	25.8
Shank diameter	[mm]	3	3
Head diameter	[mm]	6.8	6.8
Material of nail	[-]	Hardened carbon steel, Rockwell hardness 57.5 HRC	

### Electrical cable fasteners

Product description: Dimensions and materials

Annex A5

## Specification of intended use

### Anchorage subject to:

- Dead-loads of uniaxially spanned flexible cables or conduits as well as rigid cables or conduits  
Cables up to an outer diameter of 12 mm are considered flexible (e.g. NYM 3x1.5 or NYM 5x1.5).

### Base materials:

- Reinforced or unreinforced normal weight concrete according to EN 206-1:2000.
- Strength classes C20/25 to C35/45 according to EN 206-1:2000.
- Cracked and non-cracked concrete.

### Use conditions (Environmental conditions):

- Structures subject to dry internal conditions
- Minimum temperature: -20 °C
- Maximum temperature:  
Fixtures made of steel: +80 °C,  
Fixtures made of plastic: long term temperature +24 °C, short term temperature +40 °C

### Design:

- Conditions: Both ends of the chain are fixed supports (e.g. fixation in a cable-terminal box or where cables are led through interior rigid walls).

- Design:  $F = g \cdot l \leq F_{s,max}$

with

F	=	dead load of the cable or conduit acting on the fixture made of plastic or steel in N
g	=	dead load of the cable or conduit in N/m
l	=	spacing of the fasteners in m
$F_{s,max}$	=	maximum service load (maximum possible loads) $N_{s,max}$ or $V_{s,max}$ in N according to Annex C1 to C4

Electrical cable fasteners

Intended use: Specification

Annex B1

## Specification of intended use

### Notes:

- A potential influence of an eccentric load introduction into the power-actuated nail is taken into consideration in corresponding published loads shown in Annex C1 to C4.
- For Fixtures made of plastic, the long term effect due to creep is taken into consideration according to EN ISO 899-1.
- The loads given in Annexes C1 to C4 include the required safety against total failure of the global system according to EN 1990:2002 + A1:2005 + A1:2005/AC:2010 (Reliability class RC2, ultimate limit state,  $\beta \geq 3.8$ ).
- The loads given in Annexes C1 to C4 include the required safety of the serviceability state according to EN 1990:2002 + A1:2005 + A1:2005/AC:2010 (Reliability class RC2, serviceability limit state,  $\beta \geq 1.5$ ).

The corresponding maximum service loads are valid for potential gaps due to single or maximum 2 fastener failures next to each other (see Annex C1 to C4). The fastener may be used if the cable sagging due to the given gaps have not bad appearance and the designer/user accepts these gaps.

- The loads given in Annexes C1 to C4 include the required safety against local failure according to EN 1990:2002 + A1:2005 + A1:2005/AC:2010 (Reliability class RC1, ultimate limit state,  $\beta \geq 3.3$ ).

The corresponding maximum service loads are valid for potential gaps due single or maximum 4 fastener failures next to each other (see Annex C1 to C4). The fastener may be used if the cable sagging due to the given gaps do not lead to a risk of use and the designer/user accepts these gaps.

### Installation:

Fastener installation carried out by appropriately qualified personnel

<b>Electrical cable fasteners</b>	<b>Annex B2</b>
Intended Use: Specification	

English translation prepared by DIBt

**Table 3: Concrete parameters**

Power-actuated fastener		X-P 20 B3 MX X-P 20 G3 MX	X-P 24 B3 MX X-P 24 G3 MX
Minimum concrete strength class	[-]	C20/25	
Maximum concrete strength class	[-]	C35/45	
Minimum thickness of concrete member	[mm]	80	

**Table 4: Installation parameters**

Power-actuated fastener	Fixture	Depth of penetration $h_{ET}$ [mm] (see Annex A2)	Total thickness of the fixture $t_{fix}$ [mm]	Fastener standoff $h_{NHS}$ (see Annex A2)
X-P 20 B3 MX X-P 20 G3 MX	X-EKB MX	11-16mm	4	6-11 mm
	X-ECT MX	11-16 mm	4	6-11 mm
	X-ECH MX	11-16 mm	4	6-11 mm
	X-EKS MX	11-16 mm	4	6-11 mm
	X-EKSC MX	11-16 mm	4	6-11 mm
	X-FB MX	11-15 mm	5	7-11 mm
	X-DFB MX	11-15 mm	5	7-11 mm
	X-ECC MX	11-15 mm	4,5	7-11 mm
	X-EHS MX	11-15 mm	4,5	7-11 mm

**Electrical cable fasteners**

Intended use: Concrete strength class and installation parameters

**Annex B3**

**Power-actuated fastening tools**

Fastening tool BX3-ME with nails  
X-P20 B3 MX and X-P24 B3 MX



Fastening tool BX3-ME:  
fully automatic, mechanical driven

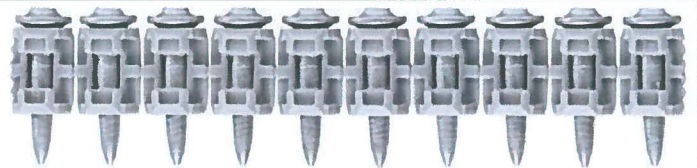
Fastening tool GX3-ME with nails  
X-P20 G3 MX and X-P24 G3 MX



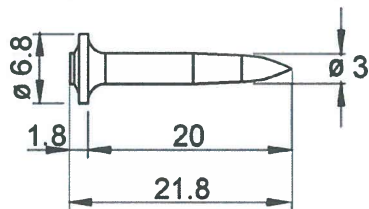
Fastening tool GX3-ME:  
fully automatic, gas driven



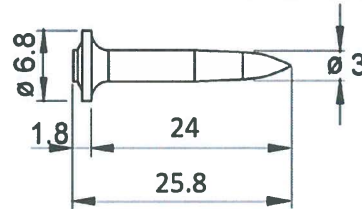
collated nails  
X-P20 B3 MX and X-P24 B3 MX



collated nails  
X-P20 G3 MX and X-P24 G3 MX



X-P20



X-P24

Nails X-P20 and X-P24

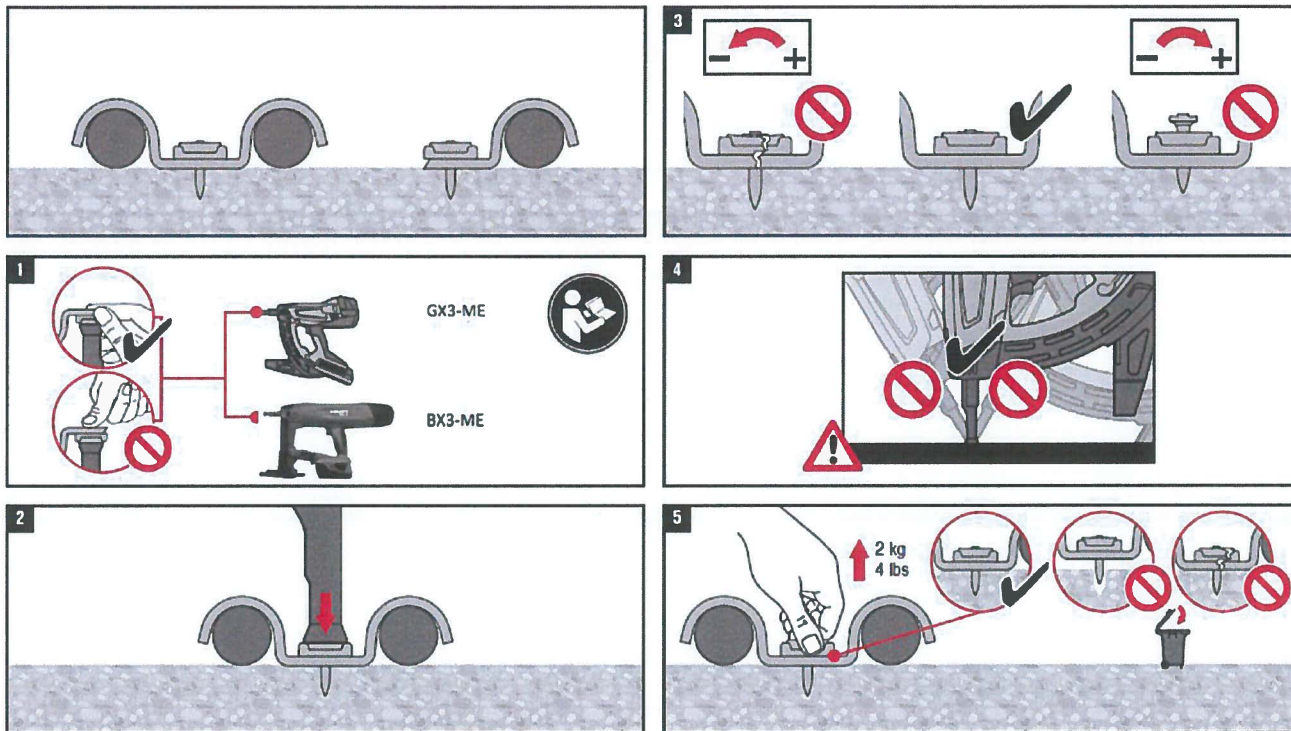
**Electrical cable fasteners**

Intended use: Power-actuated fastening tool

**Annex B4**

## Instructions for use

### Example X-(D)FB MX



### Fastener inspection – fastener stand-off

For the fastener inspection a measurement of the fastener standoff  $h_{NHS}$ , as shown in Table 4 in Annex B2 has to be done.

Electrical cable fasteners

Intended use: Instructions for use

Annex B5

### Maximum service loads $F_{S,max}$

The acceptable gap corresponds to the number of failures next to each other.

X-EKB 4 MX with X-P 20 B3 MX or X-P 20 G3 MX nail		
Number of fixing points $n_1 = 100$	Maximum tension service load $N_{S,max}$ [N]	
	Flexible cables	
Acceptable gap for serviceability limit state $\beta \geq 1.5$	1	9.0
Acceptable gap for local failure $\beta \geq 3.3$	1	6.2
	2	9.0

X-EKB 8 MX with X-P 20 B3 MX or X-P 20 G3 MX nail		
Number of fixing points $n_1 = 100$	Maximum tension service load $N_{S,max}$ [N]	
	Flexible cables	
Acceptable gap for serviceability limit state $\beta \geq 1.5$	1	14.0
Acceptable gap for local failure $\beta \geq 3.3$	2	12.5
	3	14.0

X-EKB 16 MX with X-P 20 B3 MX or X-P 20 G3 MX nail		
Number of fixing points $n_1 = 100$	Maximum tension service load $N_{S,max}$ [N]	
	Flexible cables - symmetric loading	
Acceptable gap for serviceability limit state $\beta \geq 1.5$	0	12.0
	1	18.0
Acceptable gap for local failure $\beta \geq 3.3$	1	18.0

X-EKB 16 MX with X-P 20 B3 MX or X-P 20 G3 MX nail		
Number of fixing points $n_1 = 100$	Maximum tension service load $N_{S,max}$ [N]	
	Flexible cables - asymmetric loading	
Acceptable gap for serviceability limit state $\beta \geq 1.5$	1	14.0
Acceptable gap for local failure $\beta \geq 3.3$	2	12.5
	3	14.0

<b>Electrical cable fasteners</b>	<b>Annex C1</b>
Performances: Service loads	

### Maximum service loads $F_{S,max}$ (continued)

The acceptable gap corresponds to the number of failures next to each other.

X-ECT MX with X-P 20 B3 MX or X-P 20 G3 MX nail		
Number of fixing points $n_1 = 100$	Maximum tension and shear service load $N_{S,max} = V_{S,max}$ [N]	
	Flexible cables or conduits	
Acceptable gap for serviceability limit state $\beta \geq 1.5$	1	40
	2	55
Acceptable gap for local failure $\beta \geq 3.3$	3	40
	4	55

X-EKS MX with X-P 20 B3 MX or X-P 20 G3 MX nail			
Number of fixing points $n_1 = 100$		Maximum tension and shear service load $N_{S,max} = V_{S,max}$ [N]	
		Flexible cables	Rigid cables or conduits
Acceptable gap for serviceability limit state $\beta \geq 1.5$	0	10.5	6.5
Acceptable gap for local failure $\beta \geq 3.3$	1	10.5	6.5

X-EKSC MX with X-P 20 B3 MX or X-P 20 G3 MX nail		
Number of fixing points $n_1 = 100$	Maximum tension and shear service load $N_{S,max} = V_{S,max}$ [N]	
	Flexible cables	
Acceptable gap for serviceability limit state $\beta \geq 1.5$	1	55
Acceptable gap for local failure $\beta \geq 3.3$	2	45
	3	55

X-EKSC MX with X-P 20 B3 MX or X-P 20 G3 MX nail		
Number of fixing points $n_1 = 100$	Maximum tension and shear service load $N_{S,max} = V_{S,max}$ [N]	
	Rigid cables or conduits	
Acceptable gap for serviceability limit state $\beta \geq 1.5$	1	32
Acceptable gap for local failure $\beta \geq 3.3$	2	32

<b>Electrical cable fasteners</b>	<b>Annex C2</b>
Performances: Service loads	



### Maximum service loads $F_{S,max}$ (continued)

The acceptable gap corresponds to the number of failures next to each other.

X-ECH MX with X-P 20 B3 MX or X-P 20 G3 MX nail		
Number of fixing points $n_1 = 100$	Maximum tension and shear service load $N_{S,max} = V_{S,max}$ [N]	
	Flexible cables	
Acceptable gap for serviceability limit state $\beta \geq 1.5$	1	40
	2	55
Acceptable gap for local failure $\beta \geq 3.3$	3	40
	4	55

X-ECC MX with X-P 20 B3 MX or X-P 20 G3 MX nail		
Number of fixing points $n_1 = 100$	Maximum tension service load $N_{S,max}$ [N]	
	Flexible cables	
Acceptable gap for serviceability limit state $\beta \geq 1.5$	1	35
	2	50
Acceptable gap for local failure $\beta \geq 3.3$	3	35
	4	50

X-ECC MX with X-P 20 B3 MX or X-P 20 G3 MX nail		
Number of fixing points $n_1 = 100$	Maximum tension service load $N_{S,max}$ [N]	
	Rigid cables or conduits	
Acceptable gap for serviceability limit state $\beta \geq 1.5$	1	15
	2	30
Acceptable gap for local failure $\beta \geq 3.3$	2	15
	4	30

<b>Electrical cable fasteners</b>	<b>Annex C3</b>
Performances: Service loads	

### Maximum service loads $F_{S,max}$ (continued)

The acceptable gap corresponds to the number of failures next to each other.

X-EHS MX with X-P 20 B3 MX or X-P 20 G3 MX nail		
Number of fixing points $n_1 = 100$	Maximum tension service load $N_{S,max}$ [N]	
	Flexible cables	
Acceptable gap for serviceability limit state $\beta \geq 1.5$	1	60
	2	80
Acceptable gap for local failure $\beta \geq 3.3$	3	60
	4	80

X-EHS MX with X-P 20 B3 MX or X-P 20 G3 MX nail		
Number of fixing points $n_1 = 100$	Maximum tension service load $N_{S,max}$ [N]	
	Rigid cables or conduits	
Acceptable gap for serviceability limit state $\beta \geq 1.5$	1	45
Acceptable gap for local failure $\beta \geq 3.3$	3	40
	4	45

X-FB MX and X-DFB MX with X-P 20 B3 MX or X-P 20 G3 MX nail		
Number of fixing points $n_1 = 100$	Maximum tension and shear service load $N_{S,max} = V_{S,max}$ [N]	
	Flexible cables	
Acceptable gap for serviceability limit state $\beta \geq 1.5$	1	30
Acceptable gap for local failure $\beta \geq 3.3$	2	20
	3	30

X-FB MX and X-DFB MX with X-P 20 B3 MX or X-P 20 G3 MX nail		
Number of fixing points $n_1 = 100$	Maximum tension and shear service load $N_{S,max} = V_{S,max}$ [N]	
	Rigid cables or conduits	
Acceptable gap for serviceability limit state $\beta \geq 1.5$	1	20
Acceptable gap for local failure $\beta \geq 3.3$	2	20

<b>Electrical cable fasteners</b>	<b>Annex C4</b>
Performances: Service loads	